

TOSHIBA

Leading Innovation >>>

VRF Selection Tool Software

v1.2.19



Better Air Solutions

Toshiba Carrier Corporation
TCEU Pre-Sales Division
October 26, 2018

Scope of Disclosure	Distributions
Owner	Toshiba Carrier Corporation

Index

1. Introduction

2. Exercise 1

3. Exercise 2

4. Exercise 3

1. Introduction

In this part of the training we will do 3 exercises that include:

1. Multiple system project
2. Building with different floors and rooms
3. Multiple controllers design

Index

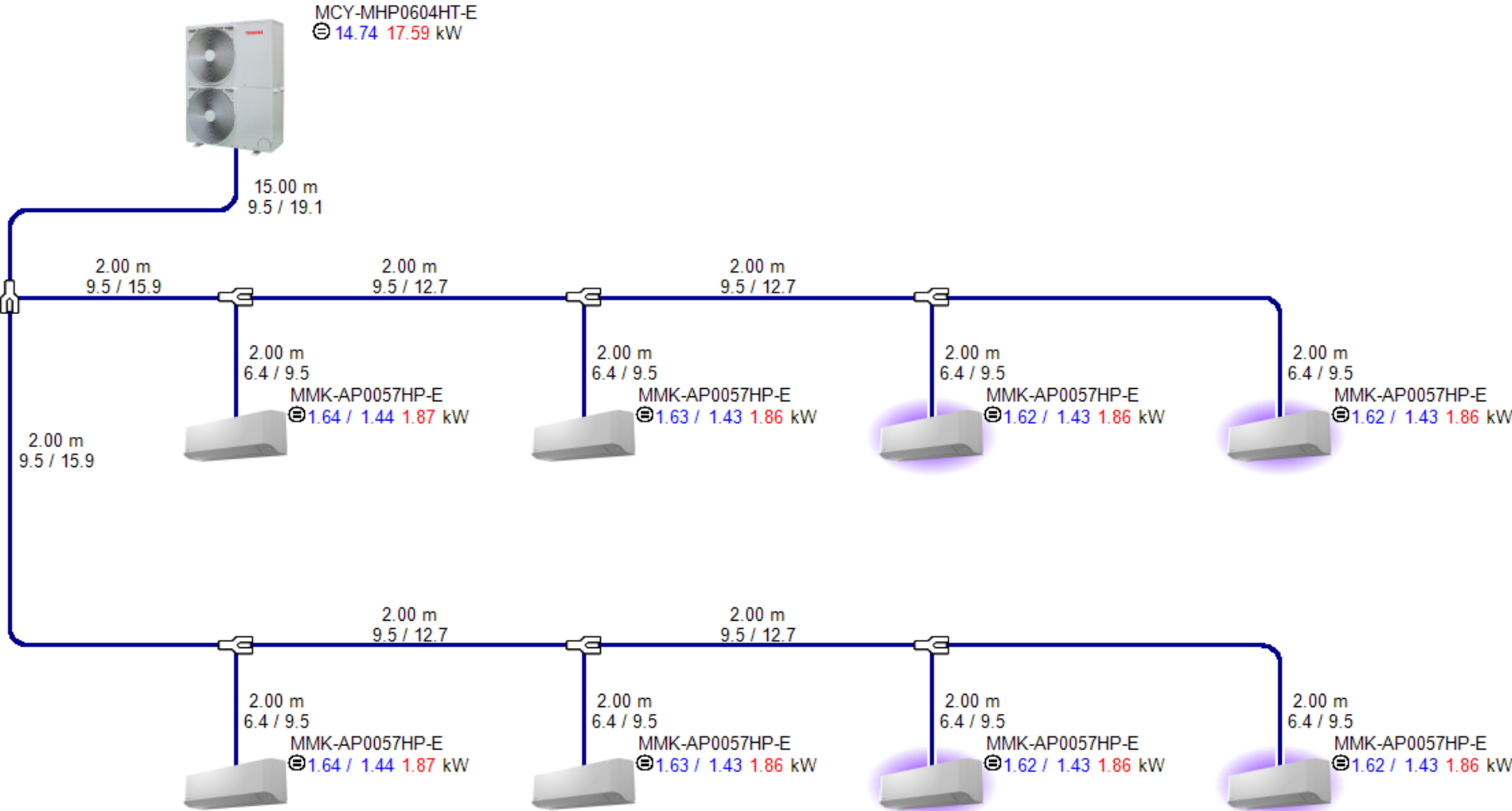
1. Introduction
2. Exercise 1
3. Exercise 2
4. Exercise 3

2. Exercise 1

Create the following design using the design, quotation and Drag & drop mode:

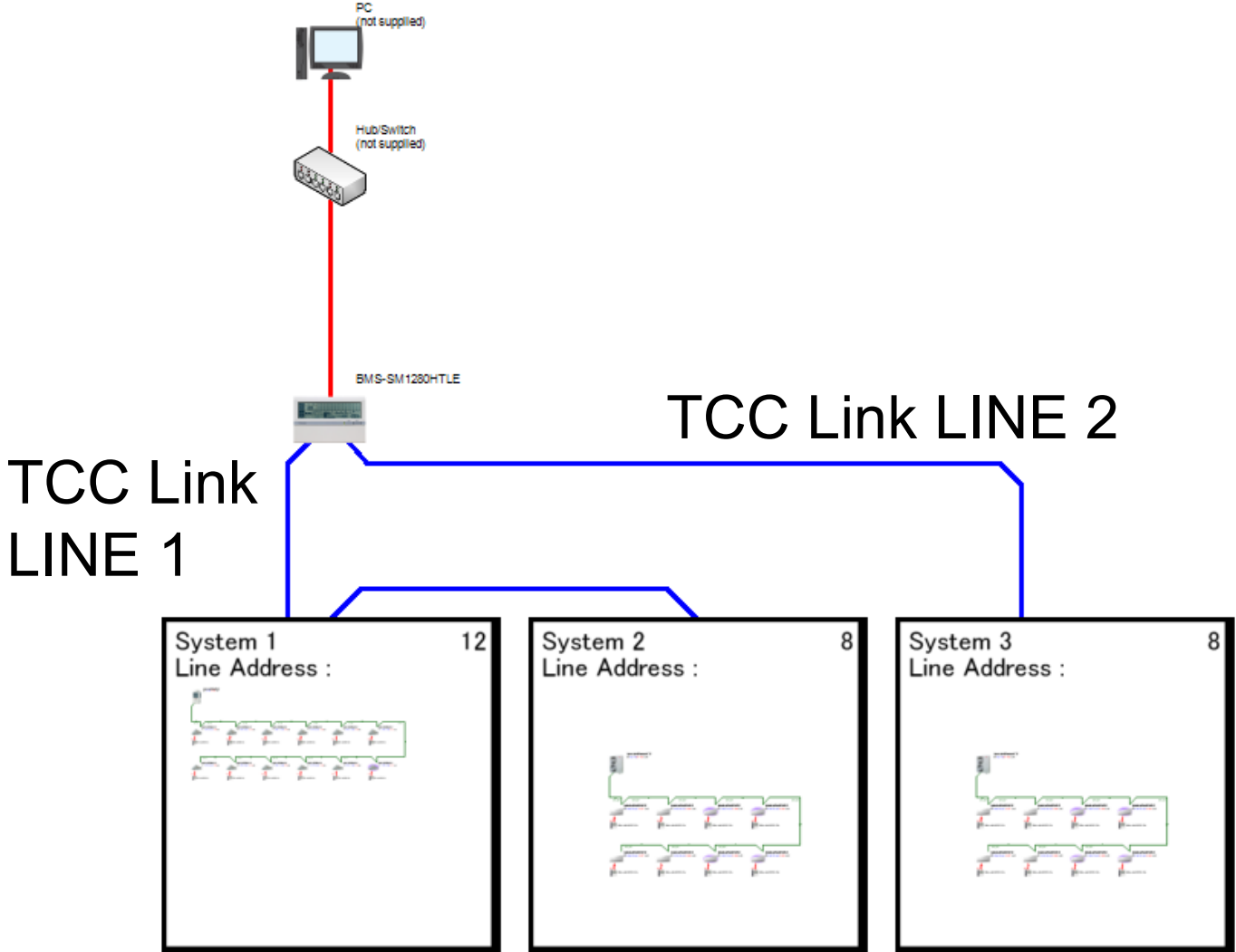
- System 1: VRF SMMSe with 12 indoor units (Concealed Duct). One flow selector every 3 indoor unit.
- System 2: Side Blow with 8 indoor units. PMV kits in 4 out of the 8 indoor units.
- System 3: (duplicate the previous one).
- Controls: One Smart Manager for the 3 systems. 2 of them through one line, the third one through another line.

2. Exercise 1



2. Exercise 1

Central Controller:



Index

1. Introduction
2. Exercise 1
3. Exercise 2
4. Exercise 3

3. Exercise 2

We will realise the design of a 3 floor (3m/floor) VRF SMMS_e system, with the outdoor below and the following characteristics:

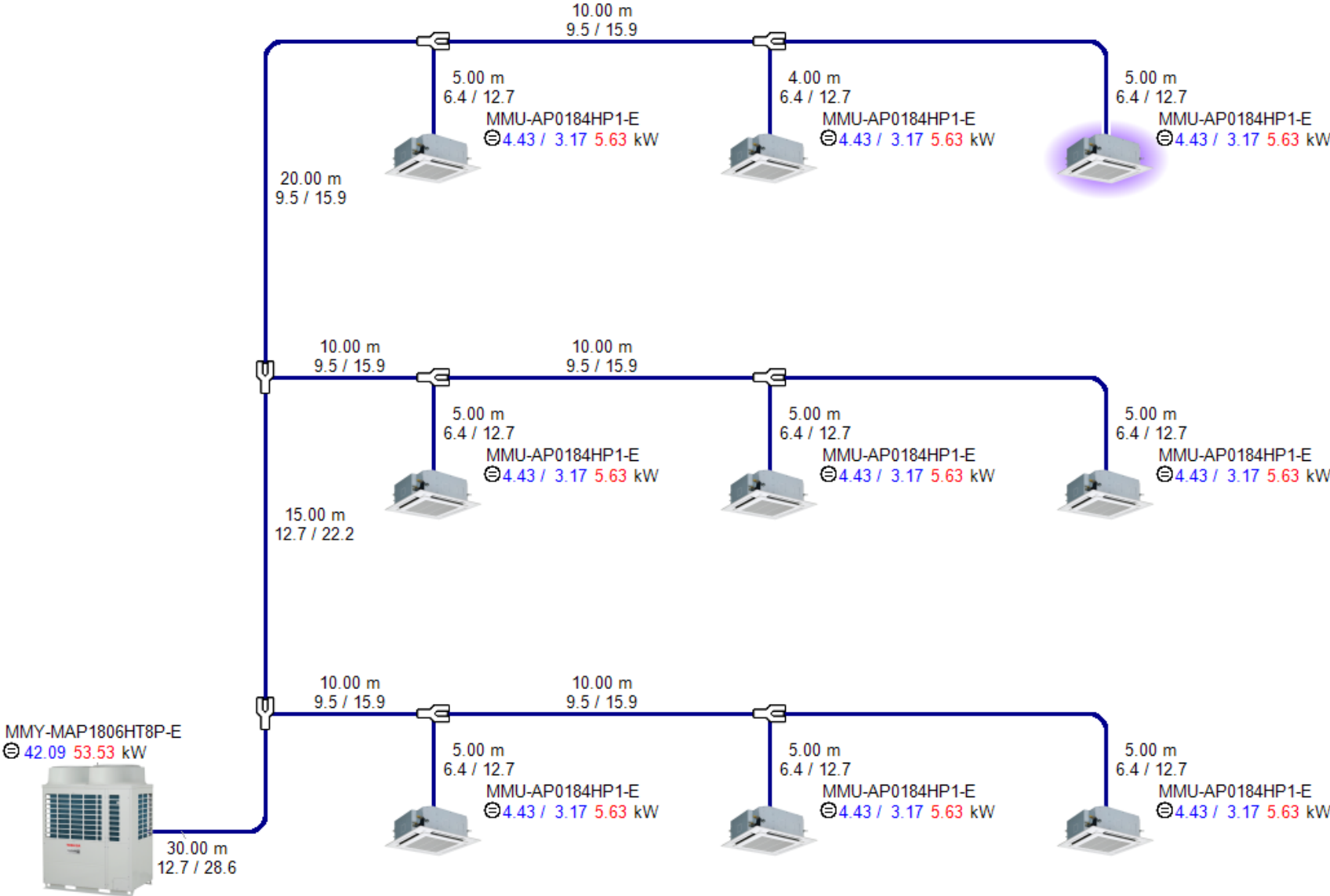
2 rooms per floor of 120m² and 16m². The name of the big one will be “Office x” and the name of the small one “Bathroom x” (where x is the floor number).

In each floor, there will be two 4 Way Cassette type indoor units in the office (one header, the other follower) and one Slim Duct in the bathroom.

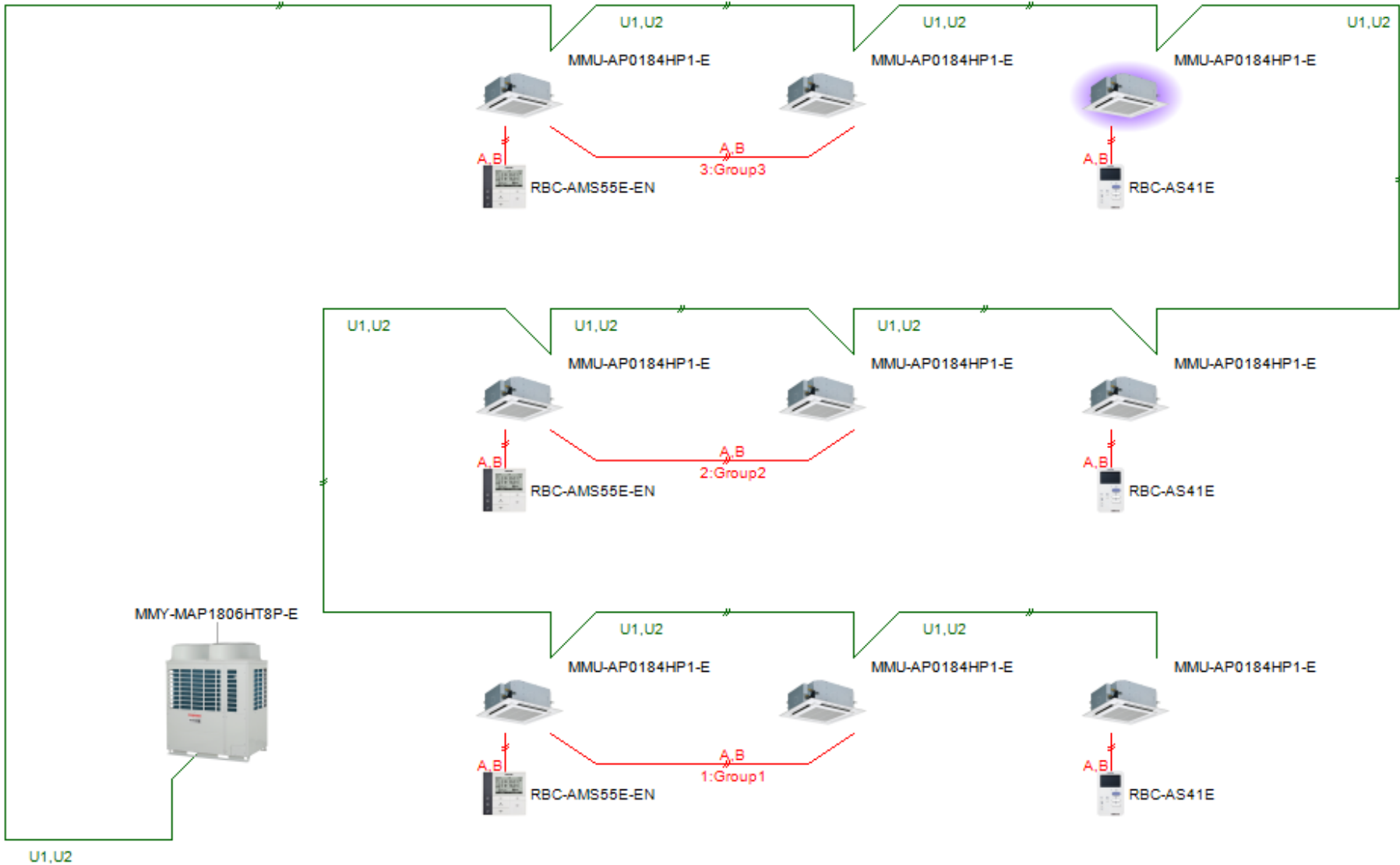
There will be a RBC-AMS55E local wired controller for each group of units (office) and the simplified controller RBC-AS41E for the bathroom units. Besides, a Window Switch is required.

Please, see the design for the pipe lengths.

3. Exercise 2



3. Exercise 2



Index

1. Introduction
2. Exercise 1
3. Exercise 2
4. Exercise 3

3. Exercise 3

We are going to create a project based on the previous systems

- Import the previous two exercises into a new project
- Set different design conditions for each system
- On system 4, set different design conditions for the rooms
- Set Accessories to the units
- Set a project quotation
- Set the Address settings
- Verify that the project is not out of specification
- Create PDF output
- Create CAD output

TOSHIBA

Leading Innovation >>>